

Technical brochure GSA-DME



DME
display
unit

- ① distance to selected Navaid
- ② Ground speed
- ③ ETA to Navaid
- ④ OFF/NAV selector (NAV1 or NAV2)
- ⑤ Backlit bezel with octagonal shape based on Collins style equipment



backlit
text

Ease of use

The GSA-DME Distance Measuring Equipment brings unprecedented DME capability to your business or regional cockpit panel. The display uses the frequency from NAV1 or NAV2 to display distance, speed and ETA to the selected navaid. This multichannel operation offers the pilot more information from a single unit.

Perfect replica

The GSA-DME has a simple, yet solid mechanical construction. The display consists of 8 segmented LED's and a rotary selector for switching on/Off, selecting NAV1 or NAV2. The text on the faceplate is backlit.

Physical Characteristics

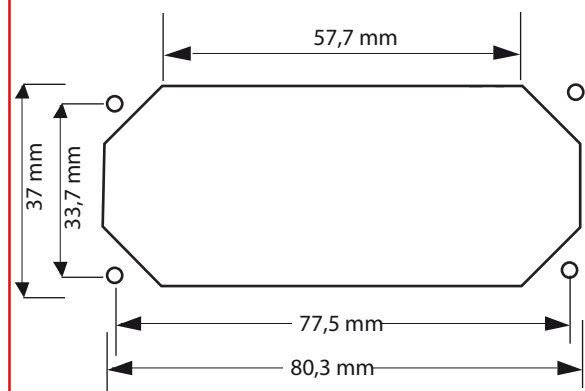
Height	40 mm
width	85 mm
depth (incl. button)	25 mm

Power requirements

power	5/12 volt
-------	-----------

Connection

type	interface
------	-----------



**FLIGHT
ILLUSION**