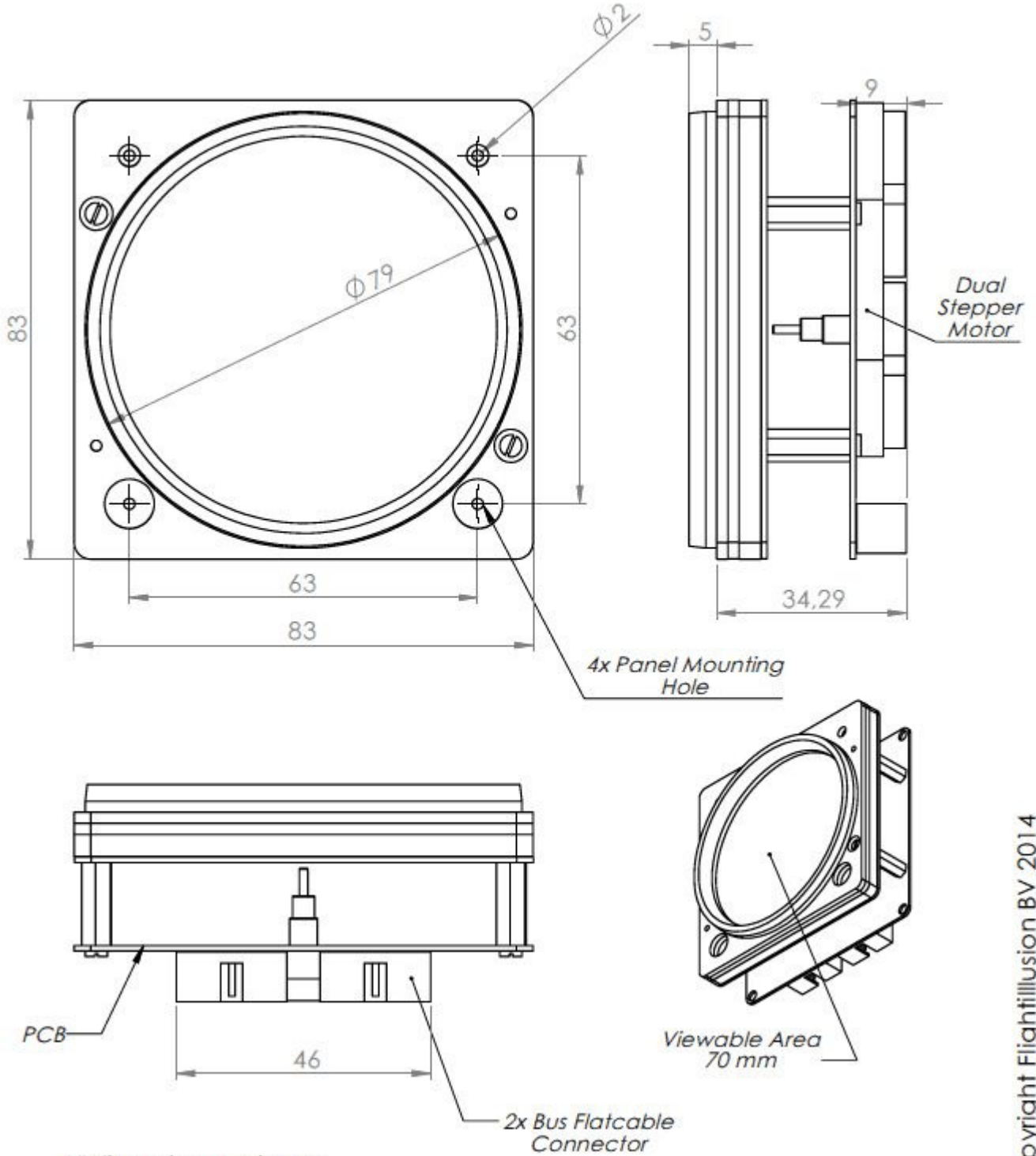


TECHNICAL DATA GSA-017

Flightillusion Dual Needle Large assembly



All dimensions are in mm

SPECIFICATIONS

| | | |
|-------------|---|---|
| MODEL | GSA-017 | |
| INPUT | DC VOLTAGE | 5V |
| | RATED CURRENT | 60mA |
| | CURRENT RANGE | 20mA – 60mA |
| | RATED POWER | 300mW |
| | VOLTAGE RANGE | 4.5 ~ 5.2V |
| | SETUP TIME (AFTER POWERUP) | 2000 mS |
| OUTPUT | NEEDLE RESOLUTION (BOTH NEEDLES) | 1080 steps / 0,33 degrees per step |
| | STEPS (FULL SCALE, BOTH NEEDLES) | 1080 |
| | MAX NEEDLE SPEED (BOTH NEEDLES) | 600 degrees / second |
| | MAX ANGLE | 120 degrees (for both needles) |
| | RESPONSE TIME (AFTER RECEIVING COMMAND) | |
| | BACKLIGHT COLOR TEMPERATURE | 570nm |
| PROTECTION | UNDER VOLTAGE | Below 4.3V: Gauge will be switch off, recovers automatically after voltage raise above 4.3V |
| ENVIRONMENT | WORKING TEMP. | -20 ~ +50°C |
| | WORKING HUMIDITY | 20 ~ 90% RH non-condensing |
| | STORAGE TEMP., HUMIDITY | -40 ~ +55°C, 10 ~ 95% RH |
| | TEMP. COEFFICIENT | ±0.03%/°C (0 ~ 50°C) |
| | VIBRATION | 10 ~ 500Hz, 5G 10min./1cycle, 60min. each along X, Y, Z axes |
| OTHERS | MTBF | 95K hrs |
| | DIMENSION | 83x83x40 (mm) |
| NOTE | 1. The gauge is considered a component which will be installed into a final equipment. The final equipment must be re-confirmed that it still meets | |
| | 2. Length of set up time is measured at first cold start. Turning ON/OFF the gauge may lead to increase of the set up time. | |



**FLIGHT
ILLUSION**

more than simulation