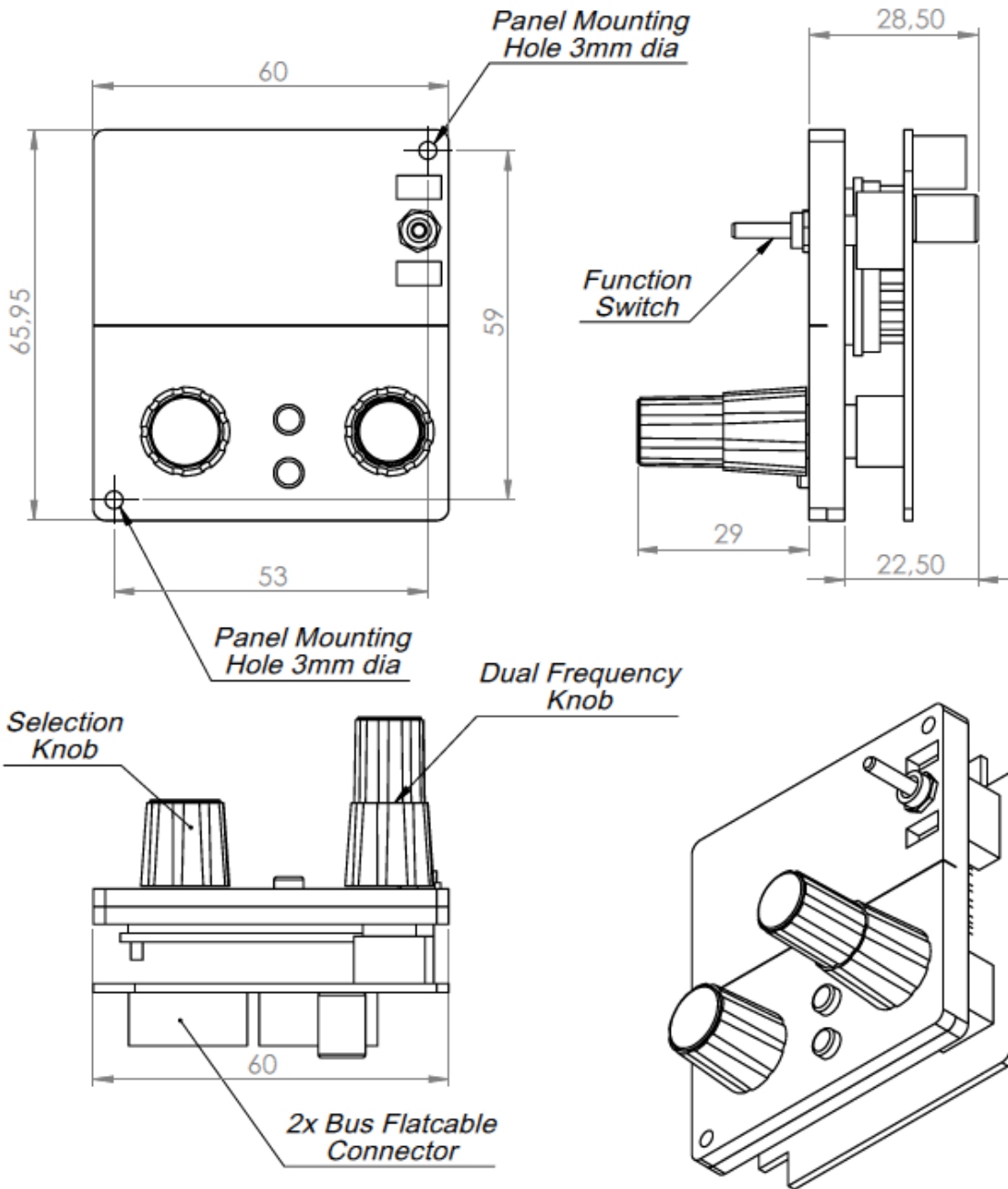


TECHNICAL DATA CAV-ATC Transponder

Flight Illusion CTL Radio Unit



All dimensions are in mm

SPECIFICATIONS

MODEL		CAV-ATC
INPUT	DC VOLTAGE	5V & 12V
	RATED CURRENT	
	CURRENT RANGE	
	RATED POWER	
	VOLTAGE RANGE	4.5 ~ 5.2V & 10,8 ~ 13,5V
	SETUP TIME (AFTER POWERUP)	
PROTECTION	UNDER VOLTAGE	Below 4.3V: Gauge will be switch off, recovers automatically after voltage raise above 4.3V
ENVIRONMENT	WORKING TEMP.	-20 ~ +50°C
	WORKING HUMIDITY	20 ~ 90% RH non-condensing
	STORAGE TEMP., HUMIDITY	-40 ~ +55°C, 10 ~ 95% RH
	TEMP. COEFFICIENT	±0.03%/°C (0 ~ 50°C)
	VIBRATION	10 ~ 500Hz, 5G 10min./1cycle, 60min. each along X, Y, Z axes
OTHERS	MTBF	95K hrs
	DIMENSION	65.95 x 60 x 22,5 mm
NOTE	1. The gauge is considered a component which will be installed into a final equipment. The final equipment must be re-confirmed that it still meets the requirements.	



**FLIGHT
ILLUSION**

more than simulation