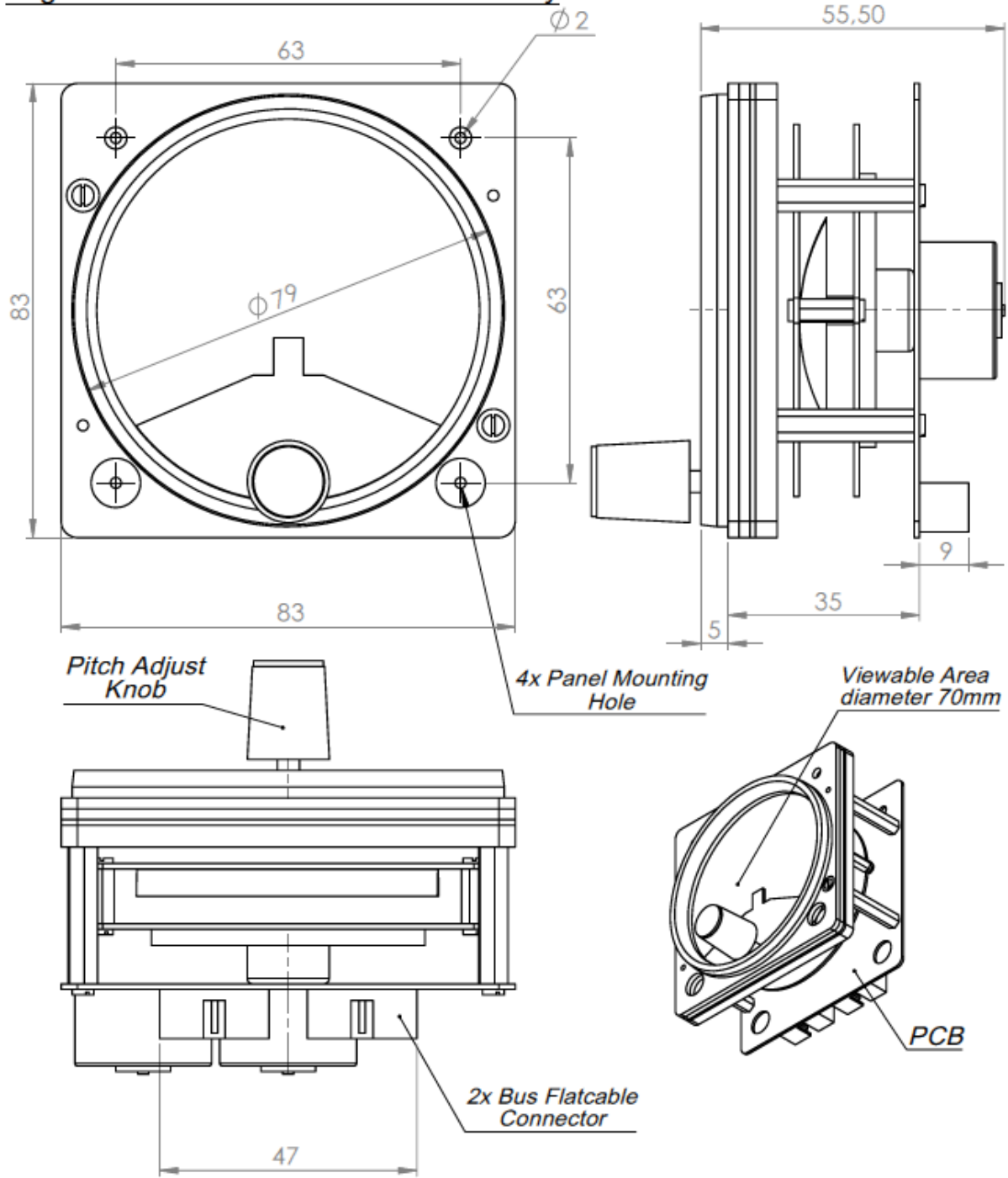


TECHNICAL DATA GSA-037

Flightillusion Attitude Indicator Assembly



All Dimmensions are in mm

SPECIFICATIONS

MODEL		GSA-034
INPUT	DC VOLTAGE	5V & 12V
	RATED CURRENT	60mA for the 5V, 600mA for the 12V
	CURRENT RANGE	20mA – 60mA
	RATED POWER	7,5W
	VOLTAGE RANGE	4.5 ~ 5.2V & 10,8 ~ 13,5V
	SETUP TIME (AFTER POWERUP)	2000 mS
OUTPUT	NEEDLE RESOLUTION (BOTH NEEDLES)	Bank: 3840 steps / 0,1 degrees – Pitch: 1200 steps / 0,05 degrees
	STEPS (FULL SCALE, BOTH NEEDLES)	Bank: 3840 – Pitch: 1200
	MAX NEEDLE SPEED (BOTH NEEDLES)	Bank: 720 degrees per second – Pitch: 120 degrees per second
	MAX ANGLE	Bank: 360 degrees continuous – Pitch: 60 degrees (-30 <> +30)
	RESPONSE TIME (AFTER RECEIVING COMMAND)	
	BACKLIGHT COLOR TEMPERATURE	570nm
PROTECTION	UNDER VOLTAGE	Below 4.3V: Gauge will be switch off, recovers automatically after voltage raise above 4.3V
ENVIRONMENT	WORKING TEMP.	-20 ~ +50°C
	WORKING HUMIDITY	20 ~ 90% RH non-condensing
	STORAGE TEMP., HUMIDITY	-40 ~ +55°C, 10 ~ 95% RH
	TEMP. COEFFICIENT	±0.03%/°C (0 ~ 50°C)
	VIBRATION	10 ~ 500Hz, 5G 10min./1cycle, 60min. each along X, Y, Z axes
OTHERS	MTBF	95K hrs
	DIMENSION	83x83x55,5 (mm)
NOTE	1. The gauge is considered a component which will be installed into a final equipment. The final equipment must be re-confirmed that it still meets the requirements	
	2. Length of set up time is measured at first cold start. Turning ON/OFF the gauge may lead to increase of the set up time.	



**FLIGHT
ILLUSION**

more than simulation