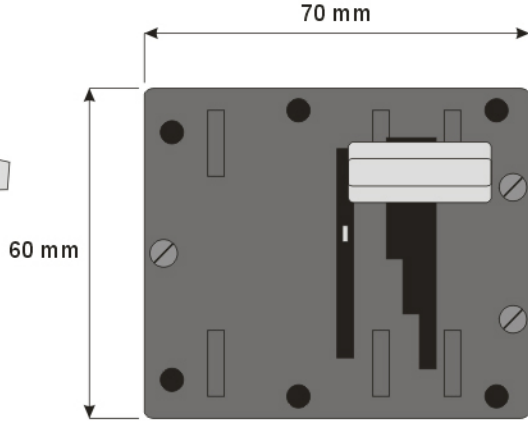
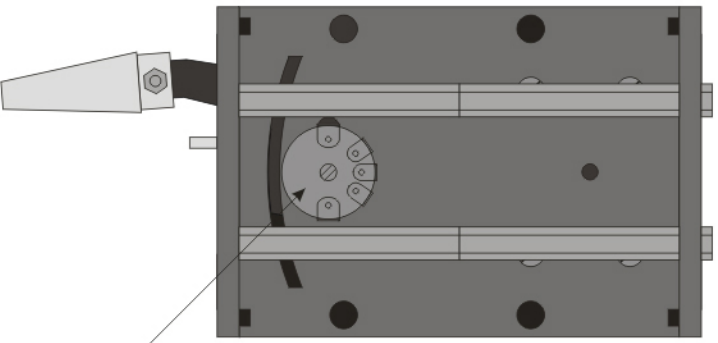


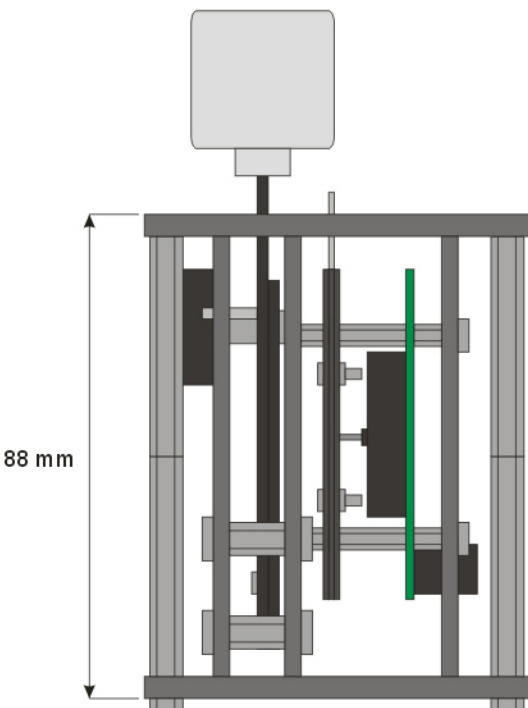
LEFT VIEW



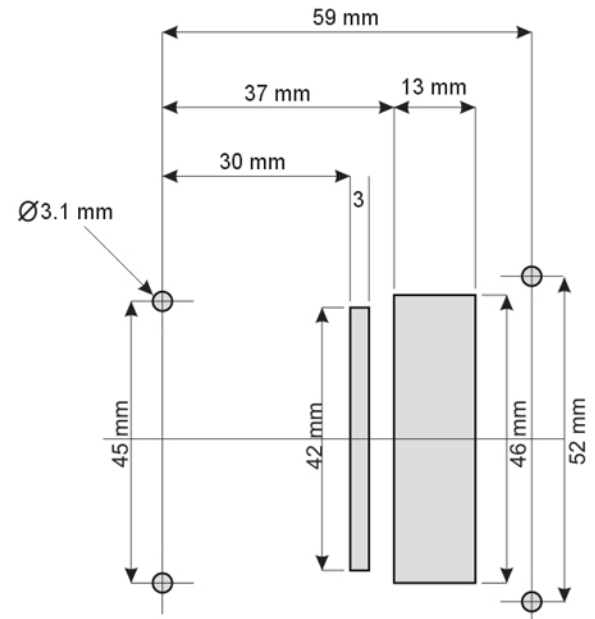
FRONT VIEW



RIGHT VIEW



TOP VIEW



PANEL CUTOUT